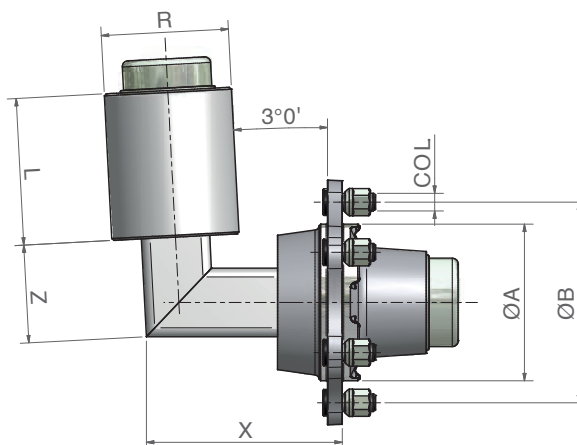
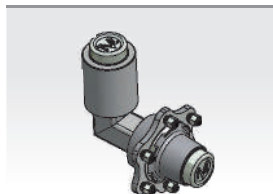


Semiassi sterzanti tipo L _ Steering stub axles "L type"

25 km/h



CODICE Code	QUADRO Square (mm)	R (mm)	L (mm)	Z (mm)	X (mm)	PORTATA Capacity (kg)	N.C.	A (mm)	B (mm)
L04004431000	40	65	65	80	140	650	4 M12	58	98
L04004431000	40	65	65	80	140	650	4 M12	62	95
L05005540000	50	95	100	90	160	1400	5 M16	94	140
L05006540000	50	95	100	90	180	1400	6 M18	160	205
L06006640000	60	120	120	90	180	2000	6 M18	160	205
L07006661000	70	130	150	100	200	3000	6 M18	160	205
L08008661000	80	130	150	100	200	3000	8 M18	220	275