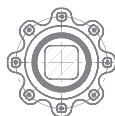
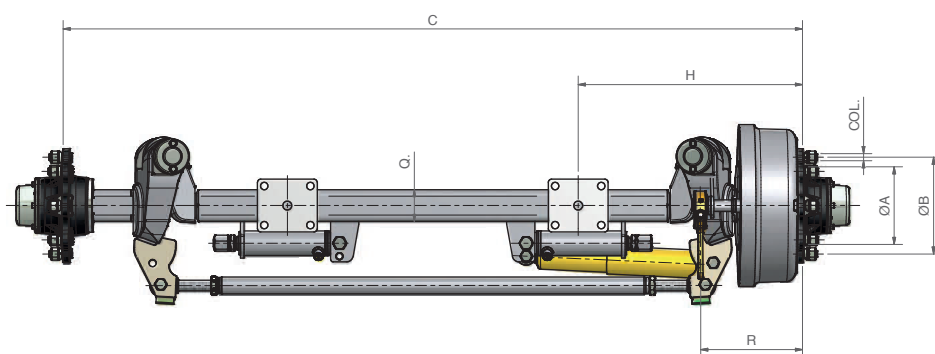
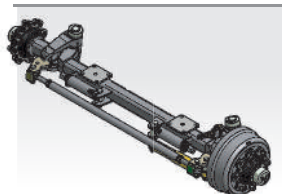


## Assali sterzanti SQR \_ Steering axles SQR

25-40 km/h



QUADRI - SQUARES



CODICE Code	Q QUADRO Square (mm)	PORTATA - Capacity (kg)		H SBALZO Overhang (mm)	ATTACCO - Fitting		
		25 km/h	40 km/h		NC	A	B
X09006671	90	9000	8500	390	6 M18	160	205
X09008671	90	9000	8500	390	8 M18	220	275
X09008880	90	10000	9500	350	8 M20	220	275
X09010880	90	10000	9500	350	10 M22	280	335
X10008880	100	10000	9500	475	8 M20	220	275
X10010880	100	10000	9500	475	10 M22	280	335
X10008899	100	12500	11500	380	8 M20	220	275
X10010899	100	12500	11500	380	10 M22	280	335
X11010991	110	13000	12000	470	10 M22	280	335
X12010899	120x12	12500	11500	390	10 M22	280	335
X13010991	130x14	13000	12000	510	10 M22	280	335
X13010994	130x14	13000	12000	510	10 M22	280	335

60 km/h

CODICE Code	Q QUADRO Square (mm)	PORTATA Capacity (kg) 60 km/h	H SBALZO Overhang (mm)	ATTACCO - Fitting		
				NC	A	B
X09006671	90	7700	365	6 M18	160	205
X09008671	90	7700	365	8 M18	220	275
X09008880	90	8500	330	8 M20	220	275
X09010880	90	8500	330	10 M22	280	335
X10008880	100	8500	450	8 M20	220	275
X10010880	100	8500	450	10 M22	280	335
X10008899	100	11000	345	8 M20	220	275
X10010899	100	11000	345	10 M22	280	335
X11010991	110	12000	395	10 M22	280	335
X12010899	120x12	11000	350	10 M22	280	335
X13010991	130x14	12000	490	10 M22	280	335
X13010994	130x14	12000	490	10 M22	280	335